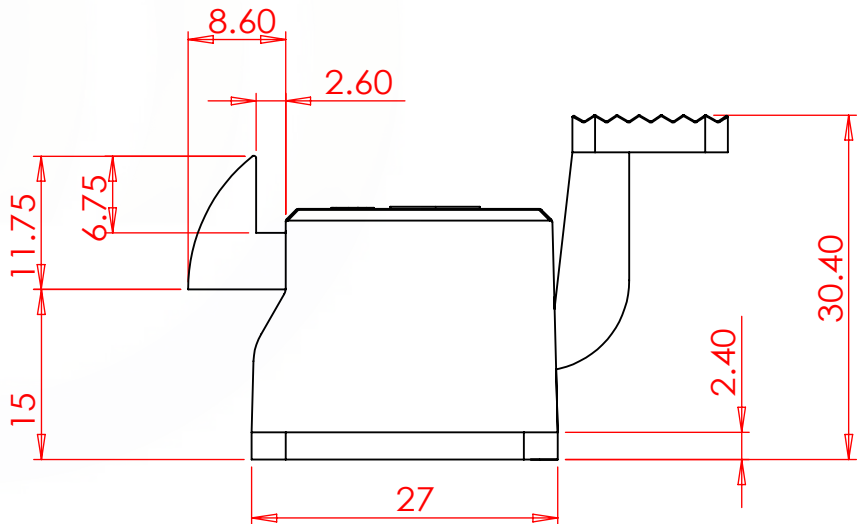
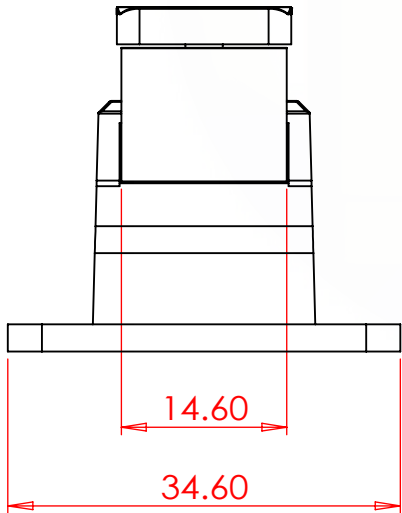
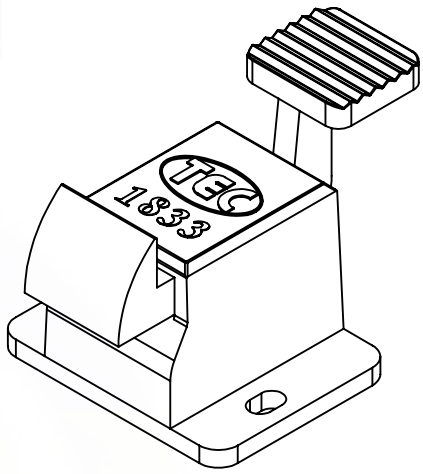
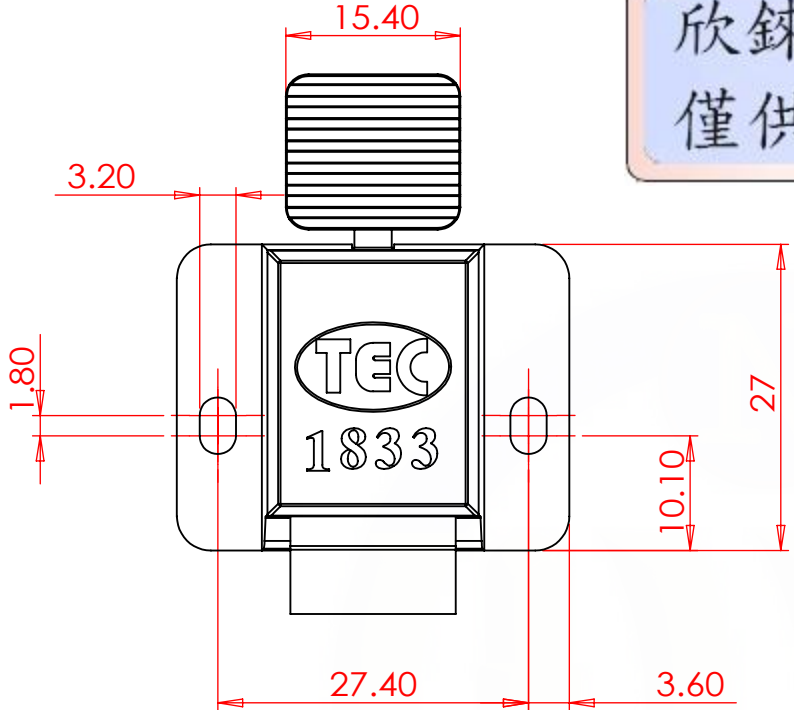




欣鍊科技
僅供參考

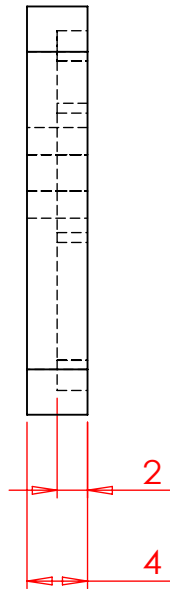
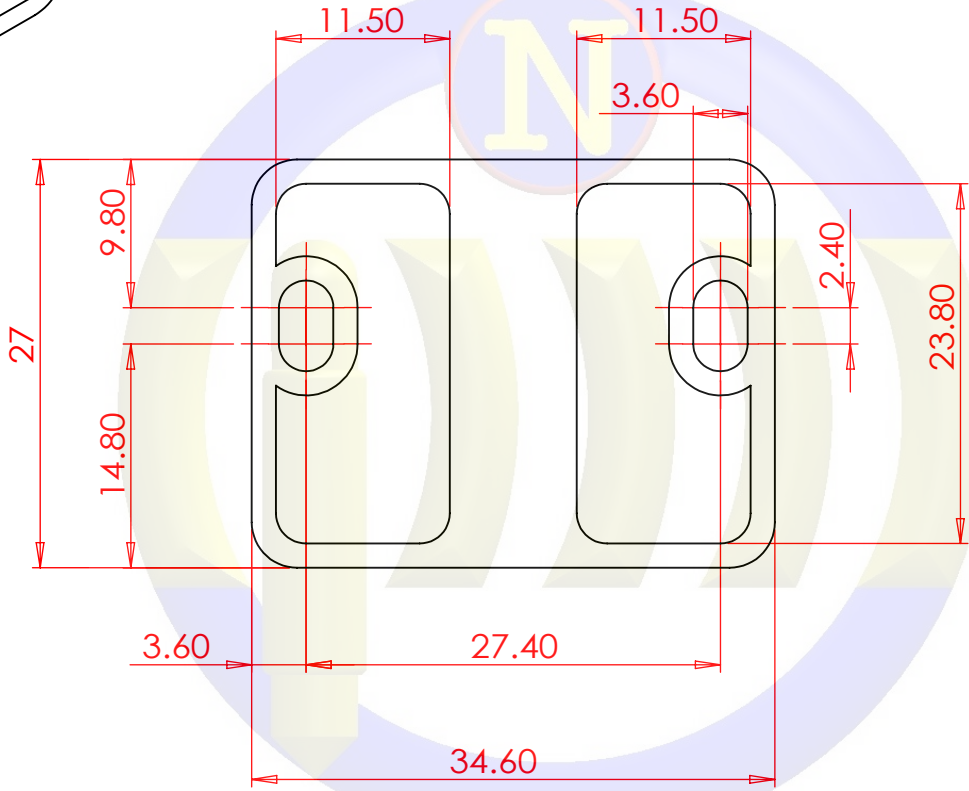
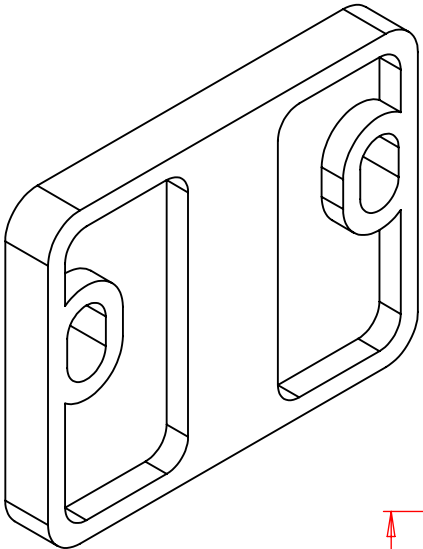
REVISIONS		
REV.	DESCRIPTION	DATE
A0		
A1		
A2		
A3		



數量 :	設計 : 李芳樹	材料	塑膠材質	 欣鍊科技有限公司 N.C.P.M.Tech.Co.,Ltd
單位 : mm	SCALE: 3:2	表面		
 日期 : 2013.04.03		硬度		卡架1833 DWG. NO. _____
PROPRIETARY AND CONFIDENTIAL THE INFORMATION CONTAINED IN THIS DRAWING IS THE SOLE PROPERTY OF N.C.P.M. ANY REPRODUCTION IN PART OR AS A WHOLE WITHOUT THE WRITTEN PERMISSION OF N.C.P.M. IS PROHIBITED.		DIMENSIONS ARE IN MILLIMETERS TOLERANCES ARE: DECIMALS ANGLES X. ± .15 X. ± 2.0° X.X ± .10 X.X ± 1.0° X.XX ± .05 X.XX ± 0.5°		
			REV. A0	

欣鍊科技
僅供參考

REVISIONS		
REV.	DESCRIPTION	DATE
A0		
A1		
A2		
A3		



數量 :	設計 : 李芳樹	材料	塑膠材質
單位 : mm	SCALE: 2:1	表面	
☉	日期 : 2013.04.03	硬度	
<small>PROPRIETARY AND CONFIDENTIAL THE INFORMATION CONTAINED IN THIS DRAWING IS THE SOLE PROPERTY OF N.C.P.M. ANY REPRODUCTION IN PART OR AS A WHOLE WITHOUT THE WRITTEN PERMISSION OF N.C.P.M. IS PROHIBITED.</small>		<small>DIMENSIONS ARE IN MILLIMETERS TOLERANCES ARE: DECIMALS ANGLES X. ± .15 X. ± 2.0° X.X ± .10 X.X ± 1.0° X.XX ± .05 X.XX ± 0.5°</small>	


欣鍊科技有限公司
 N.C.P.M.Tech.Co.,Ltd
卡架底座
 TITLE: 卡架底座
 DWG. NO. _____ REV. **A0**