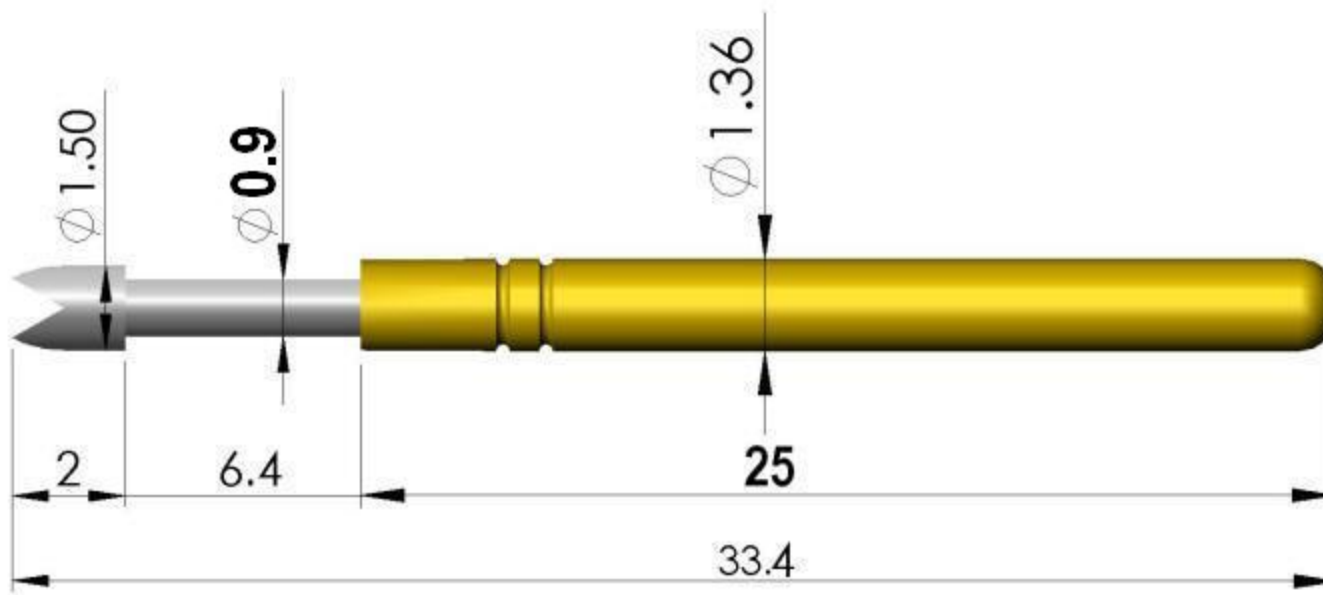
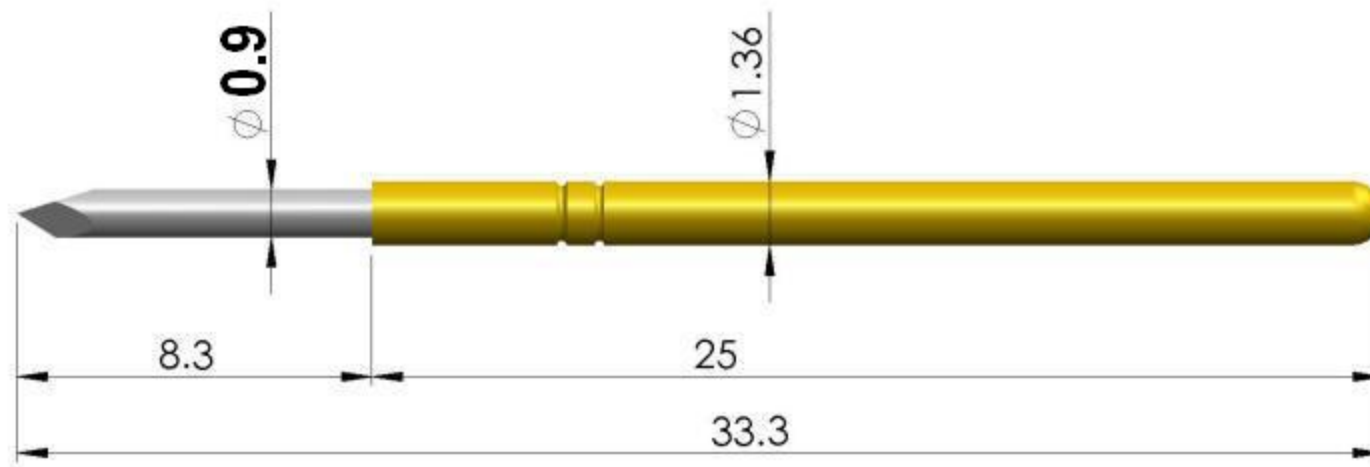


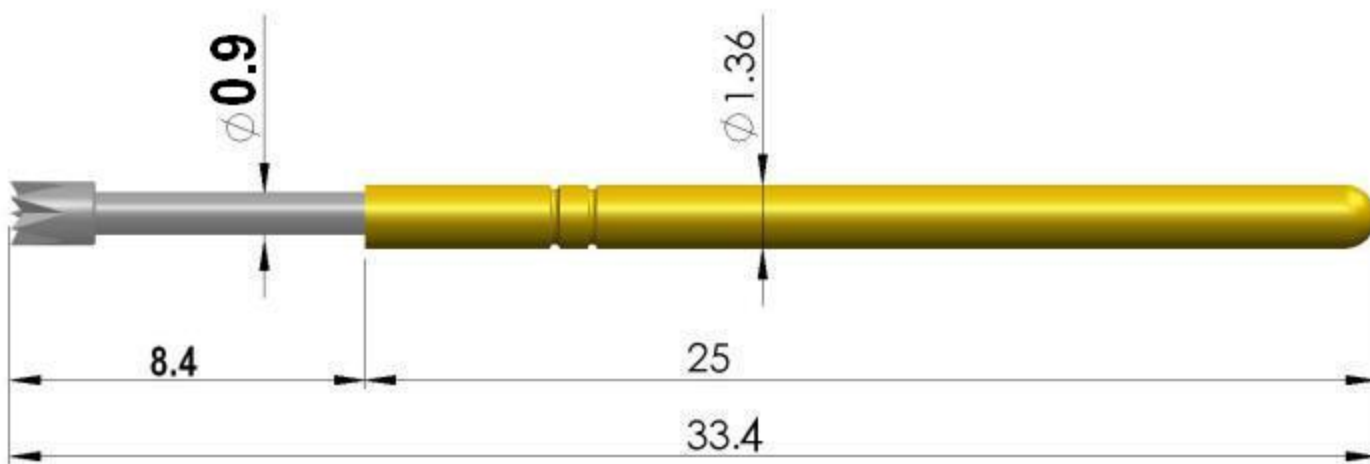
NCPM-27F2



NCPM-27T



NCPM-27Q



Probe specifications NCPM-27

Mounting hole size(鑽孔尺寸):1.7(.0669")/1.75(.0689")

Full travel(行程):6.4(.252")

Materials and finishes(材料及塗飾):

Plunger: S45C, Ni or Au plated
 BeCu, Ni or Au plated
 Phosphor bronze, Ni or Au plated

Barrel: Brass, Au plated

Spring: Stainless steel

Current rating(額定電流):3A

Contact resistance(接觸電阻):50m